

HC 90

J2  
CANON SP MAMA  
RGB

J4  
CANON SP TATA

J3  
CANON SP TATA

DIP  
TASTATURA

[Empty box]

J5  
CAS

MODULATOR

R6 10K  
R8 10K  
R7 10K  
R10 10K  
R11 10K  
R4 27K

R60 10K  
R61 2K

A2  
74LS244

A3  
74LS04

A5  
74LS373  
✳

B6 Z80A  
• 8 X 10K

B7 27128

R62 10K  
R63 10K  
R64 10K  
R65 10K

J8

C90 100K  
C18 100K

R66 510  
R69 500  
B2  
74LS00

R68 510  
B3  
74LS00

R41 1K  
R40 1K  
R48 1K

R63 10V  
C2  
7473

C3  
74LS161

C4  
74LS175

C5  
74LS373

C6  
74LS367

100M  
C19  
500K

A8  
4164

D2  
82S125

D3  
74S74

D4  
74LS174

D5  
74LS374

D6  
74LS257

D7  
74LS257

B6  
4164

E2  
74LS161

E3  
74LS74

E4  
74LS74

E5  
74LS374

E6  
74LS257

E7  
74LS139

C8  
4164

F2  
74LS27

F3  
74LS86

F4  
74LS00

F5  
74LS374

F6  
74LS32

F7  
74LS74

D8  
4164

G2  
74LS04

G3  
74LS161

G4  
74LS257

G5  
74LS374

G6  
74LS00

G7  
74LS161

E8  
4164

H2  
74LS04

H3  
74LS161

H4  
74LS157

H5  
74LS151

H6  
74LS32

H7  
74LS257

F8  
4164

D9  
4164

H8  
4164

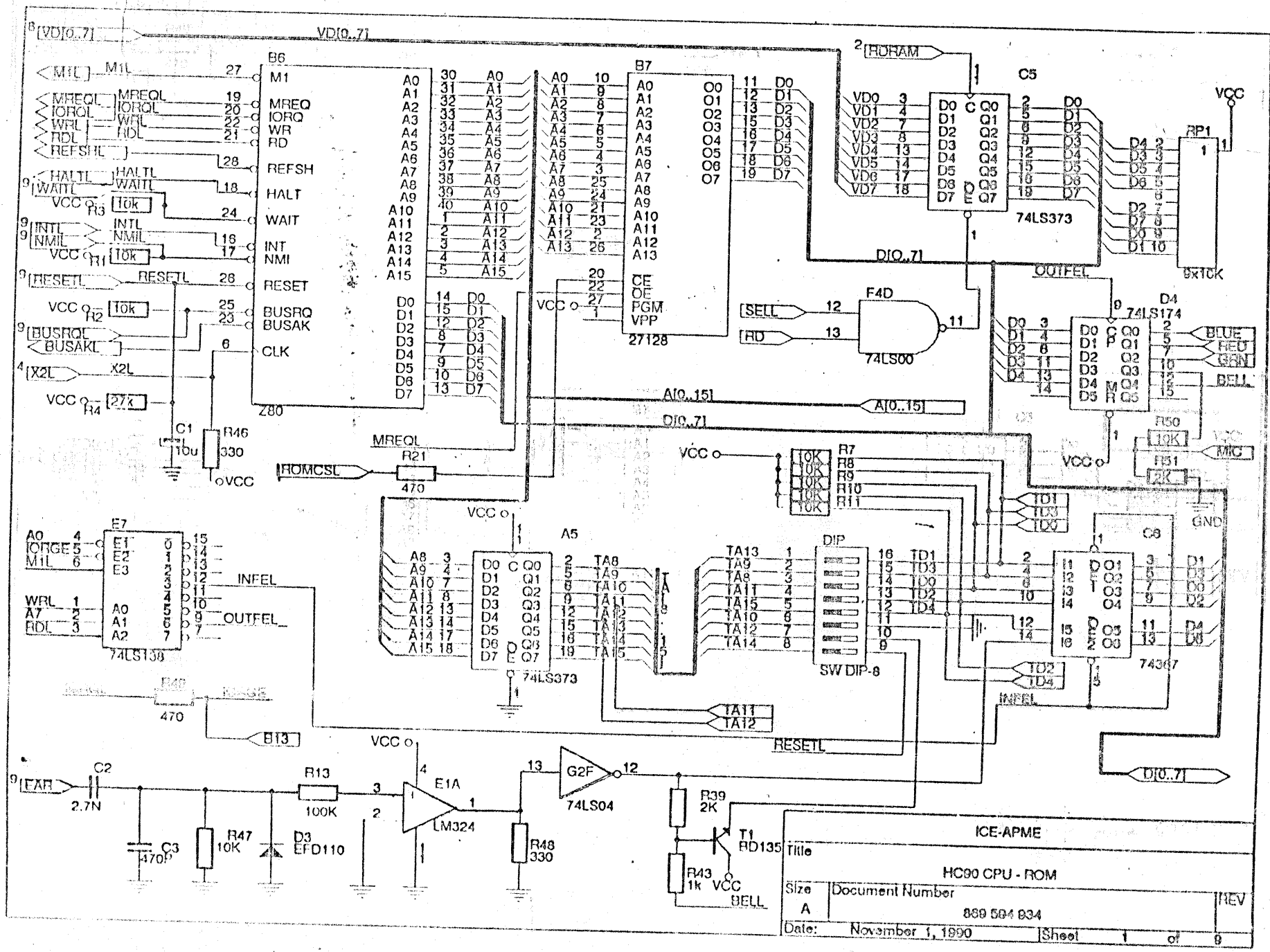
J1

R1 10V  
R2 10V  
R3 10V  
R4 10V  
R5 10V  
R6 10V  
R7 10V  
R8 10V  
R9 10V  
R10 10V  
R11 10V  
R12 10V  
R13 10V  
R14 10V  
R15 10V  
R16 10V  
R17 10V  
R18 10V  
R19 10V  
R20 10V  
R21 10V  
R22 10V  
R23 10V  
R24 10V  
R25 10V  
R26 10V  
R27 10V  
R28 10V  
R29 10V  
R30 10V  
R31 10V  
R32 10V  
R33 10V  
R34 10V  
R35 10V  
R36 10V  
R37 10V  
R38 10V  
R39 10V  
R40 10V  
R41 10V  
R42 10V  
R43 10V  
R44 10V  
R45 10V  
R46 10V  
R47 10V  
R48 10V  
R49 10V  
R50 10V  
R51 10V  
R52 10V  
R53 10V  
R54 10V  
R55 10V  
R56 10V  
R57 10V  
R58 10V  
R59 10V  
R60 10V  
R61 10V  
R62 10V  
R63 10V  
R64 10V  
R65 10V  
R66 10V  
R67 10V  
R68 10V  
R69 10V  
R70 10V  
R71 10V  
R72 10V  
R73 10V  
R74 10V  
R75 10V  
R76 10V  
R77 10V  
R78 10V  
R79 10V  
R80 10V  
R81 10V  
R82 10V  
R83 10V  
R84 10V  
R85 10V  
R86 10V  
R87 10V  
R88 10V  
R89 10V  
R90 10V  
R91 10V  
R92 10V  
R93 10V  
R94 10V  
R95 10V  
R96 10V  
R97 10V  
R98 10V  
R99 10V  
R100 10V

B1  
110M4

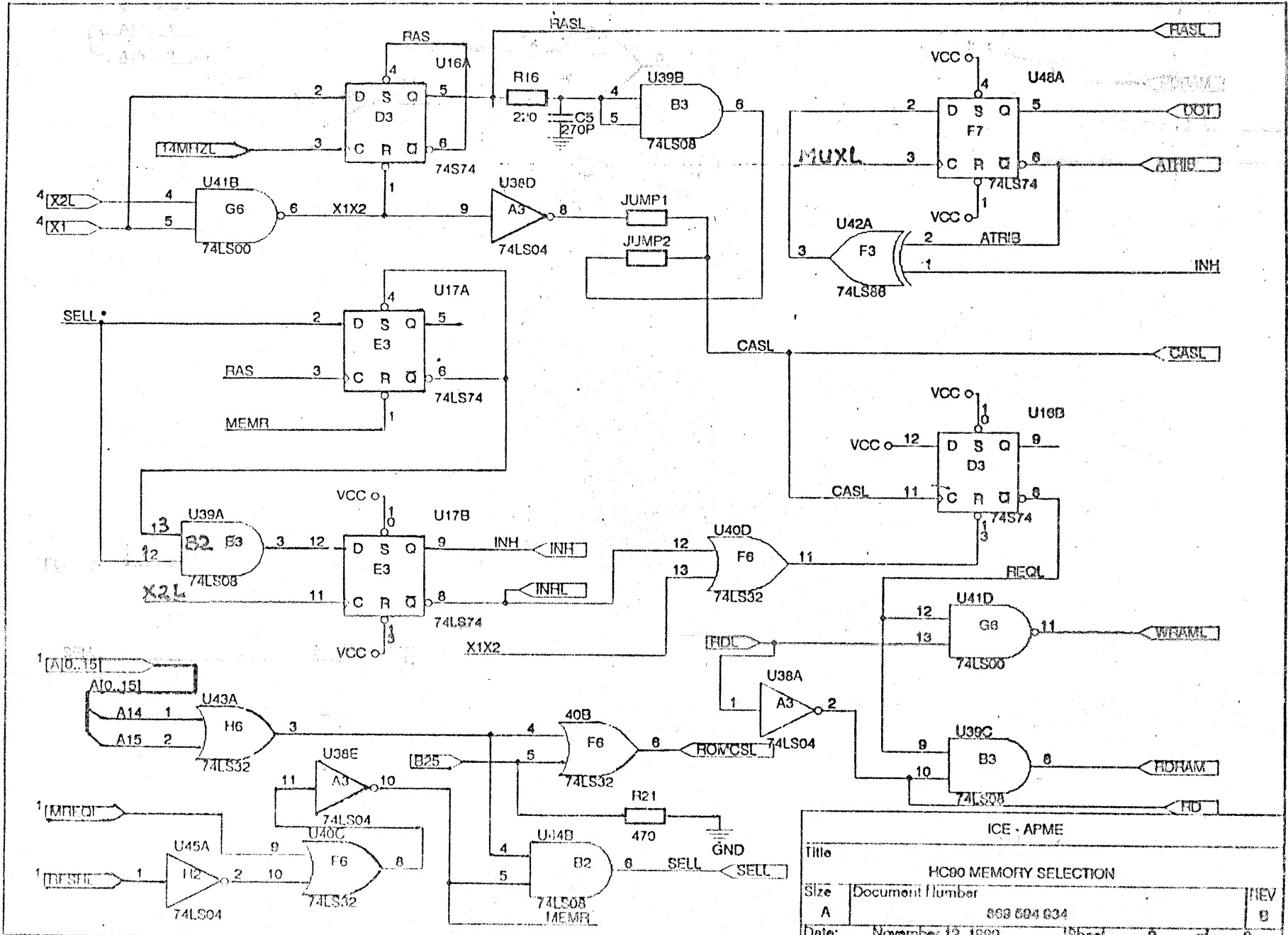
C11  
3/10P

Q1  
14M

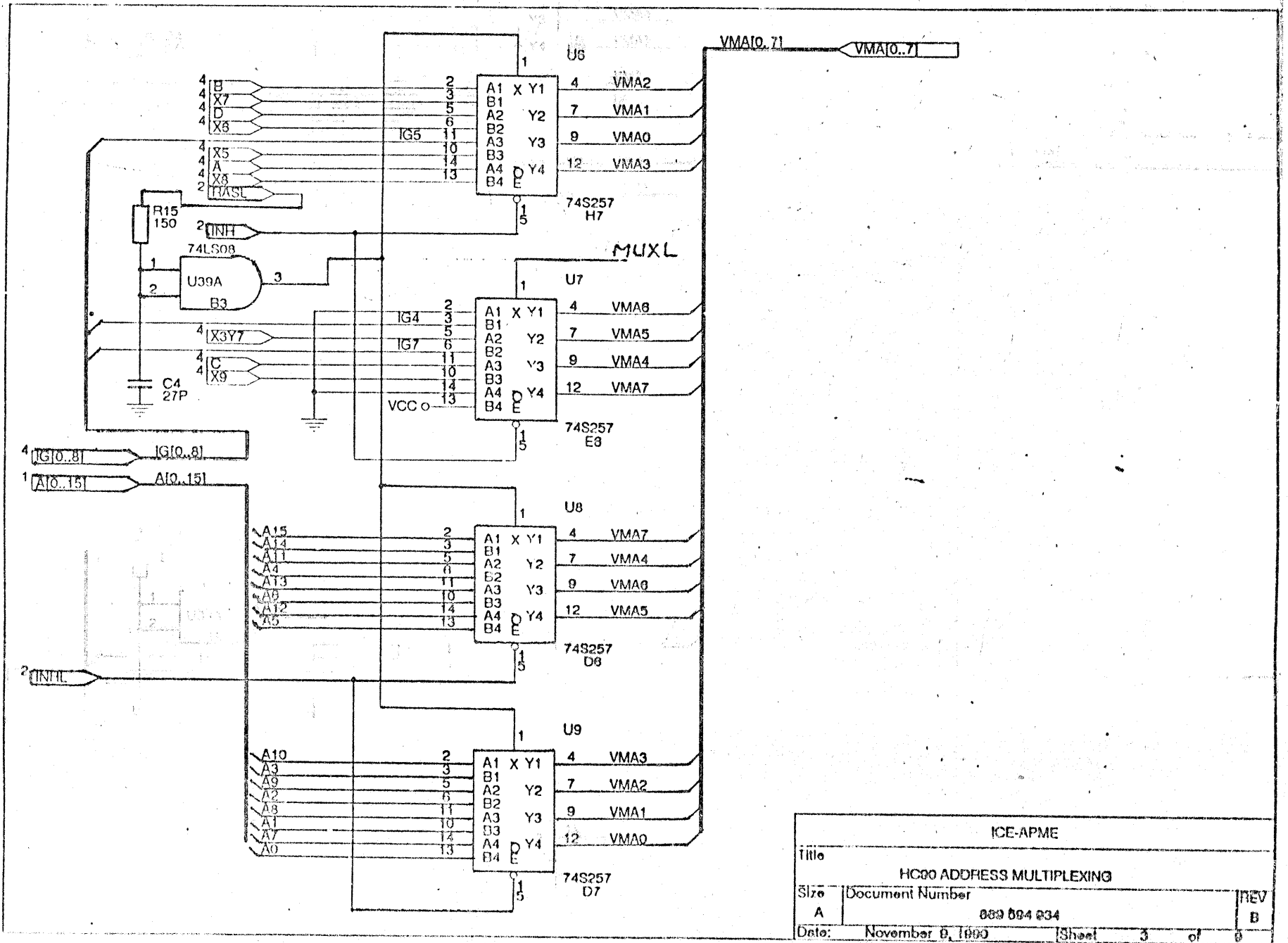


Title			
ICE-APME			
HC90 CPU - ROM			
Size	Document Number		REV
A	889 504 834		
Date:	November 1, 1990	Sheet	1 of 9

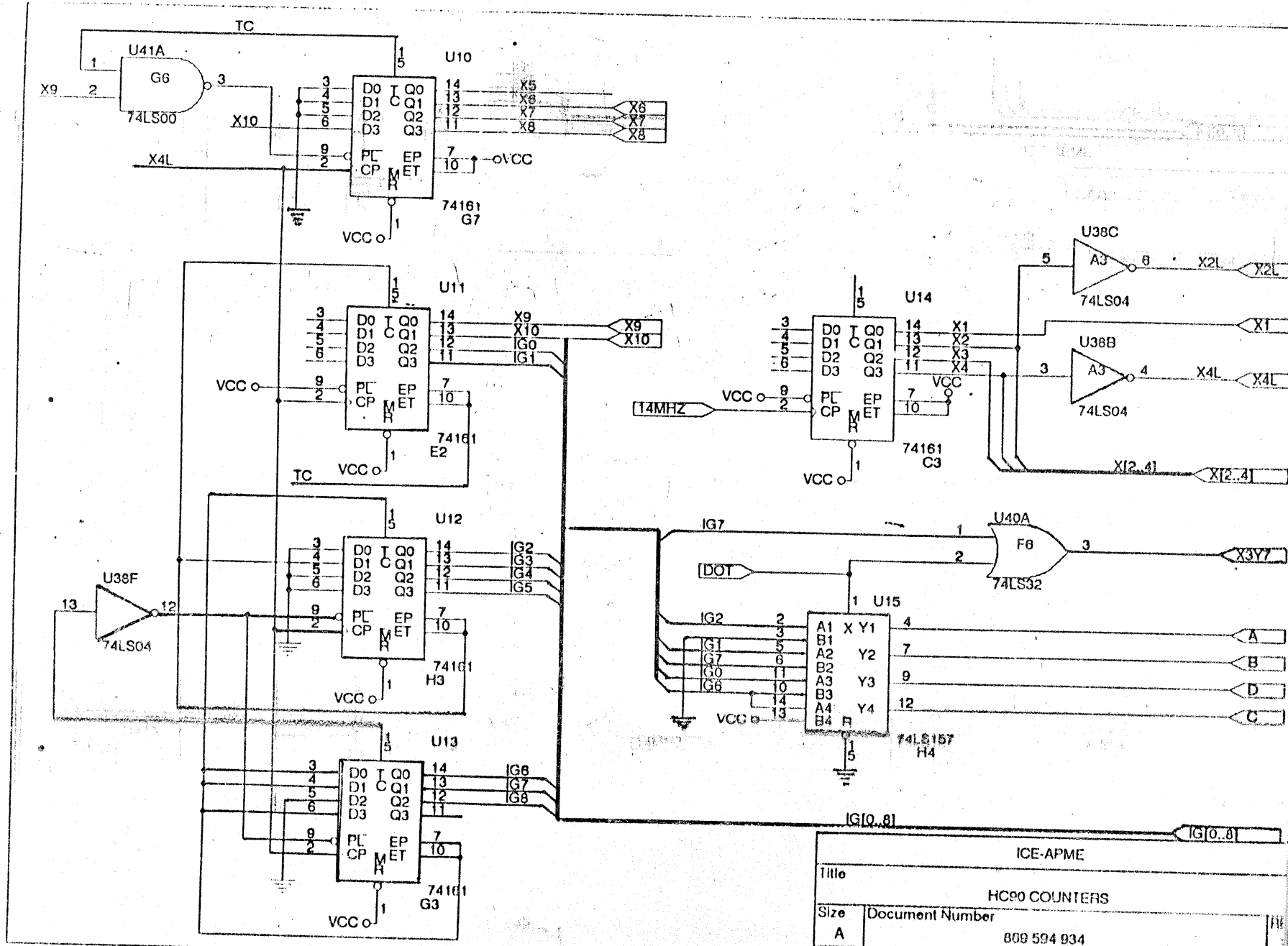




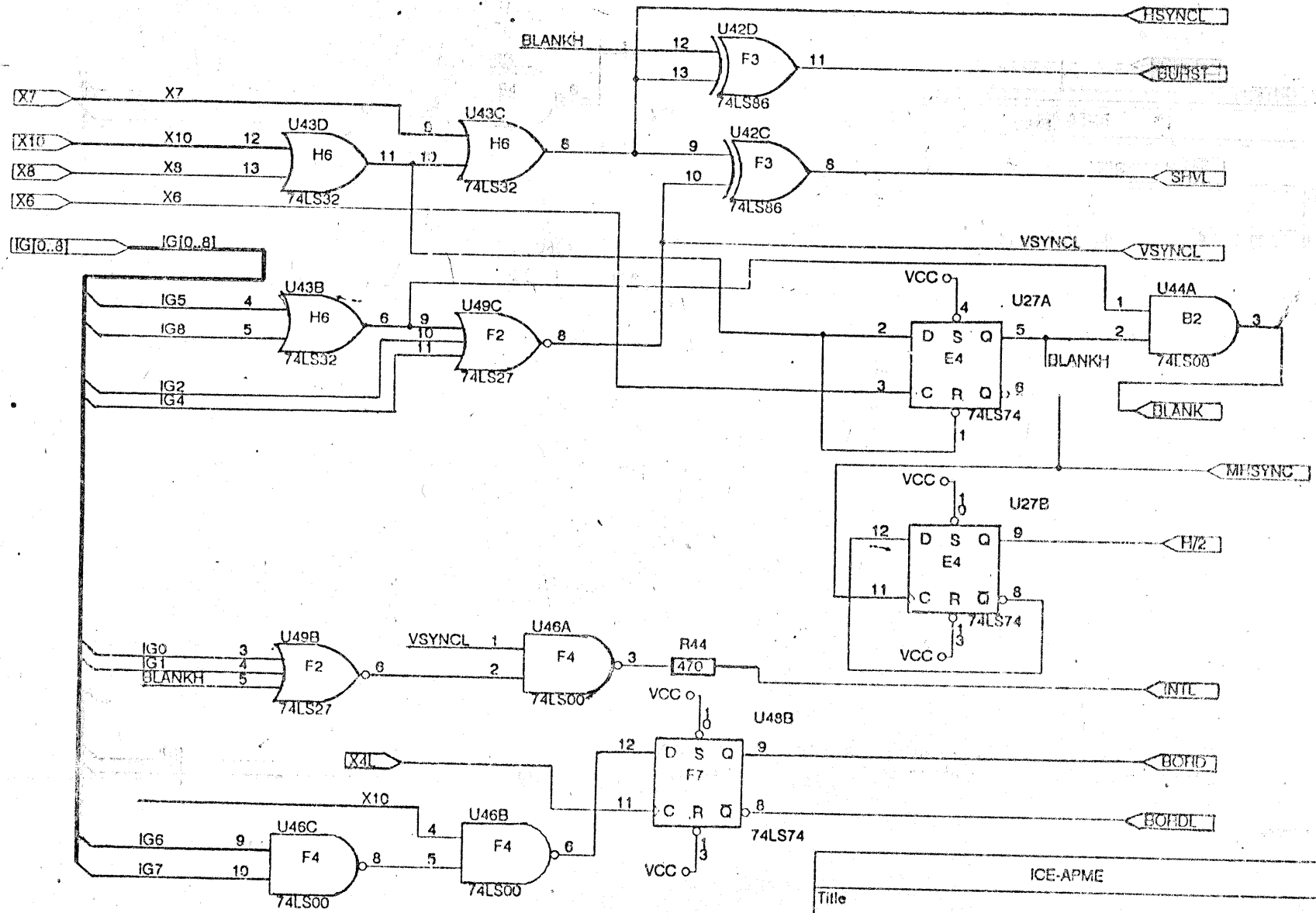
ICE - APME		
Title		
HC90 MEMORY SELECTION		
Size	Document Number	REV
A	868 604 634	B
Date:	November 12, 1990	15 of 19



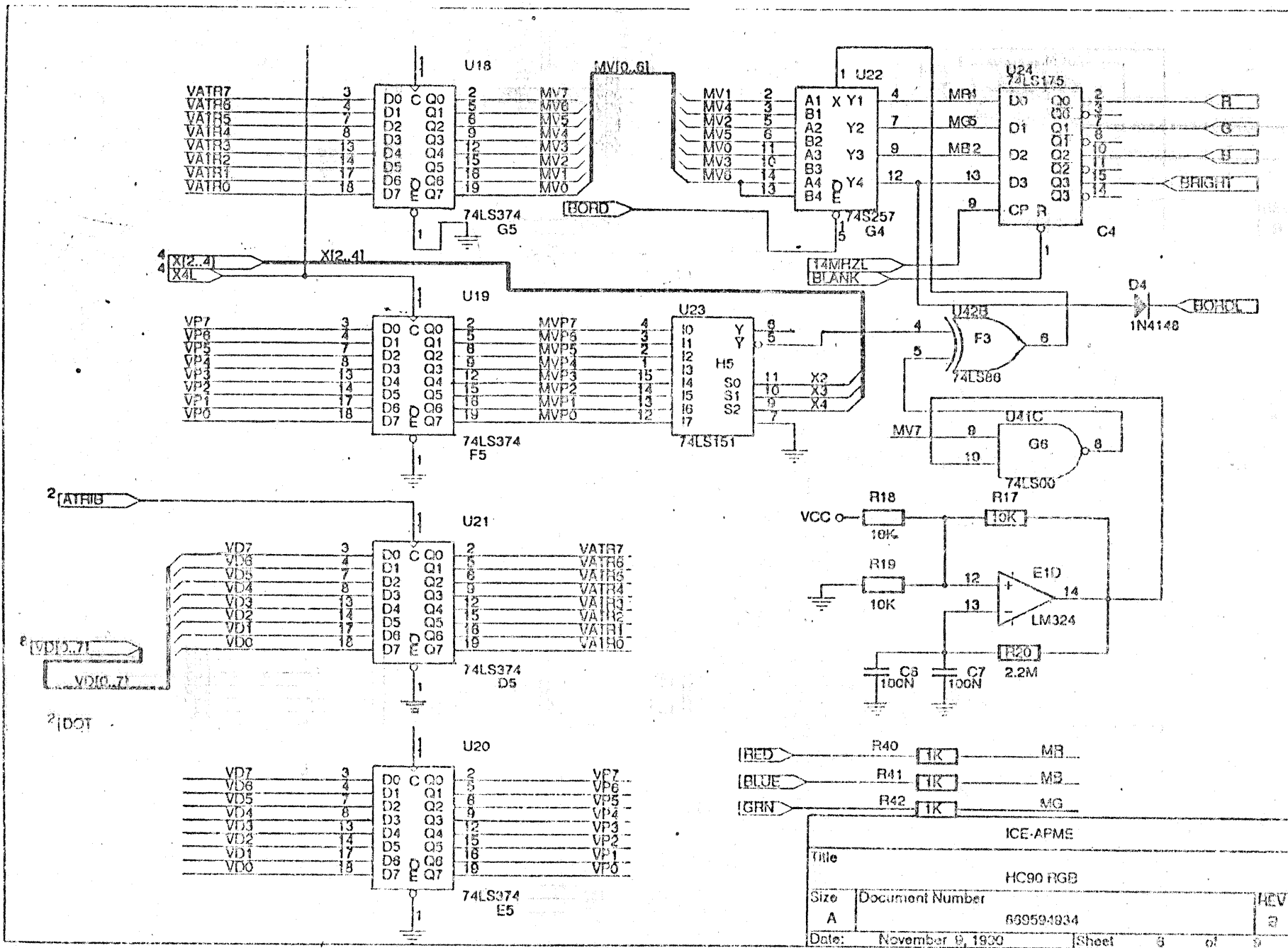
ICE-APME		
Title		
HC00 ADDRESS MULTIPLEXING		
Size	Document Number	REV
A	000 004 034	B
Date:	November 0, 1990	Sheet 3 of 0



ICE-APME	
Title	
HC90 COUNTERS	
Size	Document Number
A	809 594 934
Date:	November 9, 1990
Sheet	4 of 9



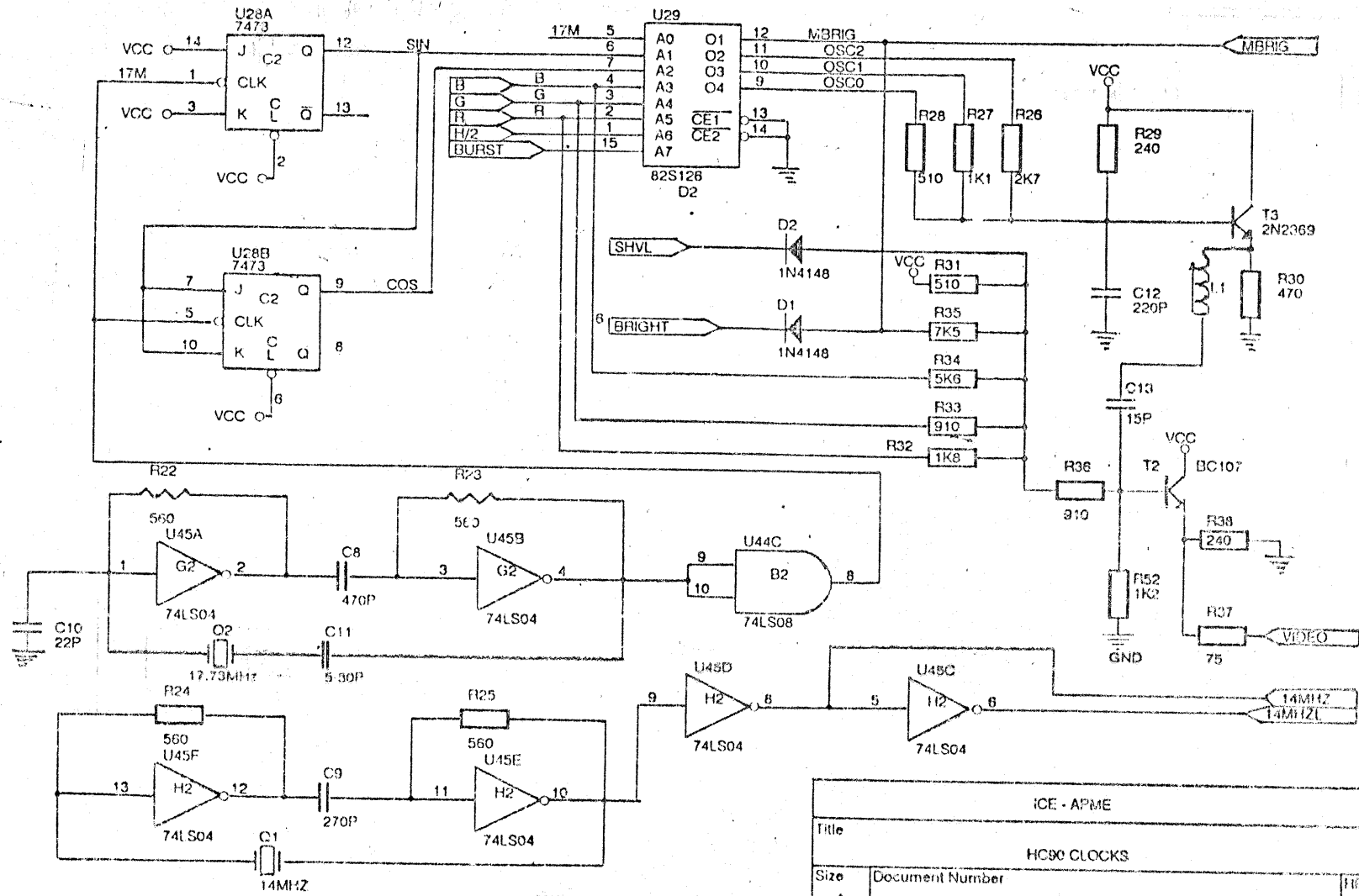
ICE-APME		
Title		
HCS90 SYNCRO		
Size	Document Number	REV
A	889 594 934	B
Date:	November 9, 1990	Sheet 5 of 5



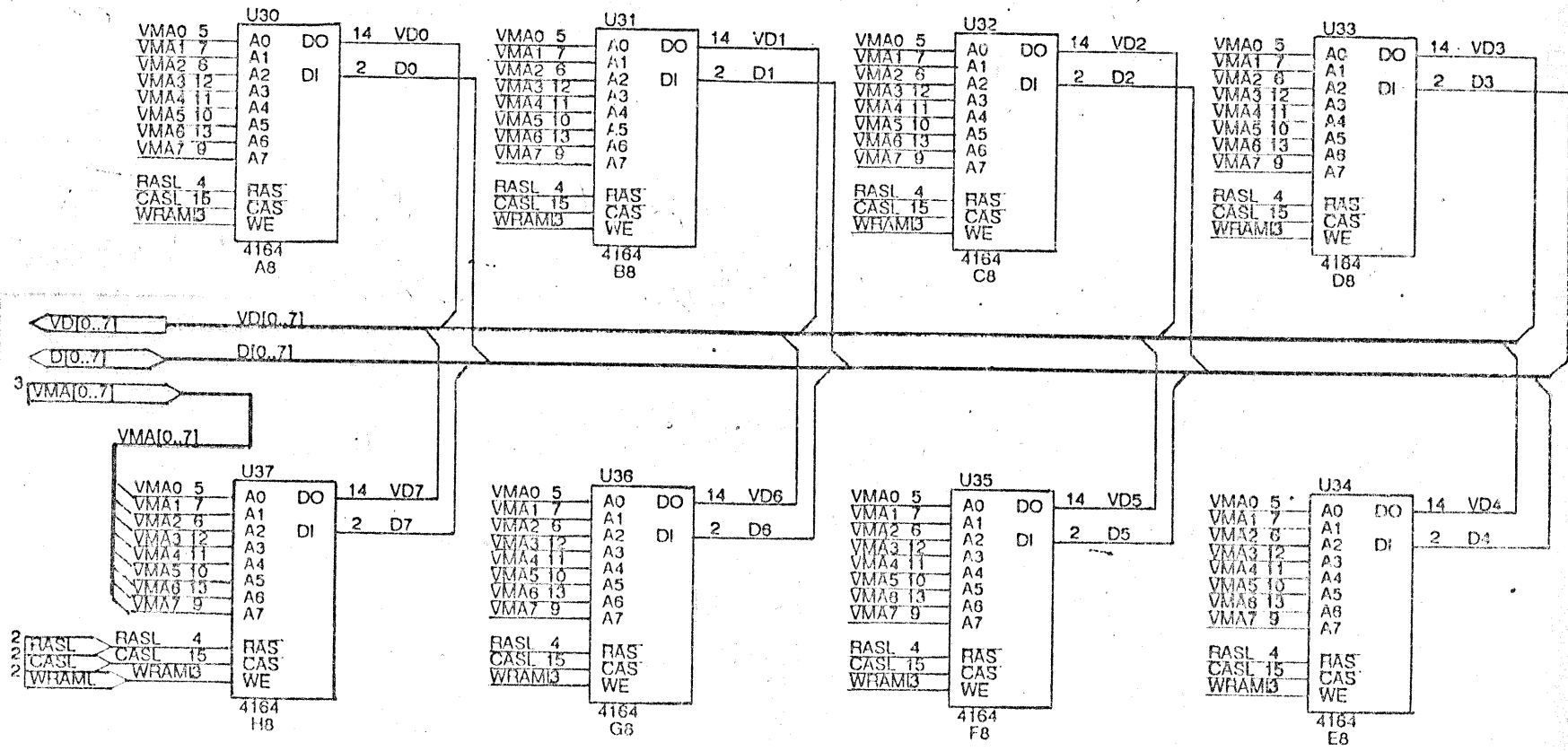
ICE-APME		
Title		
HC90 RGB		
Size	Document Number	REV
A	699594934	2
Date:	November 9, 1990	Sheet 9 of 9



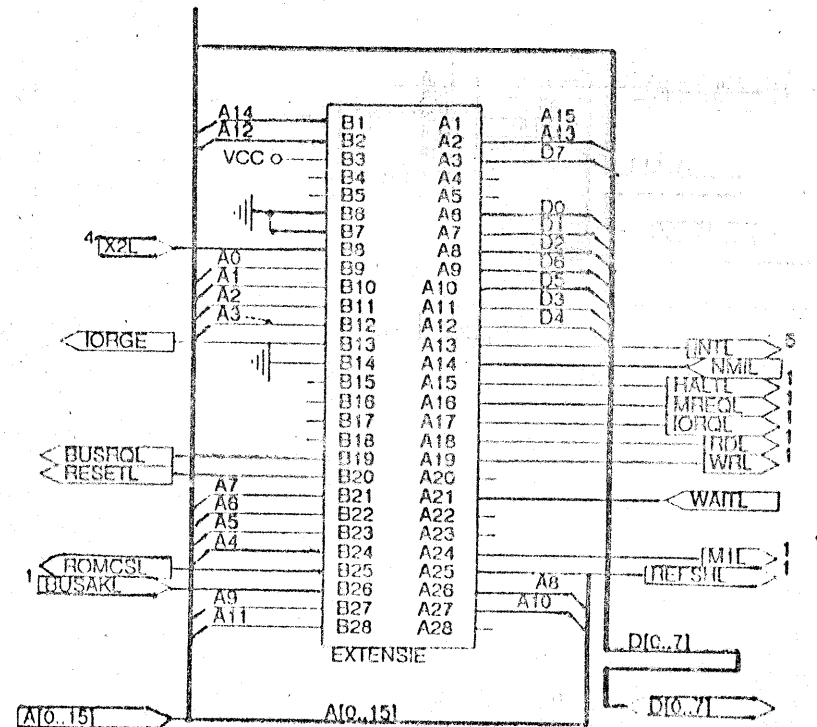
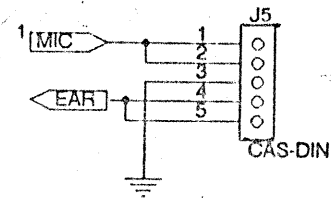
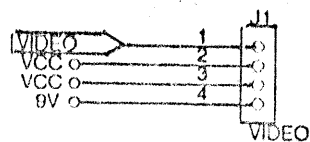
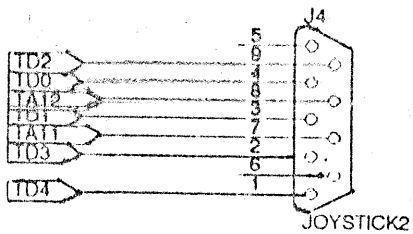
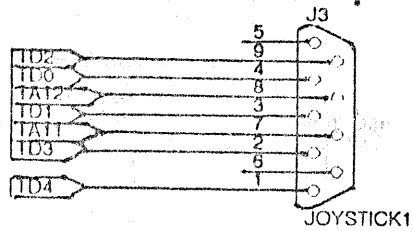
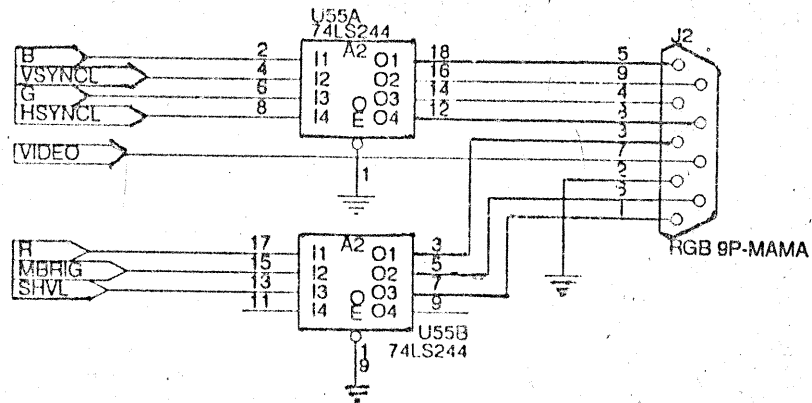
434 10/9



ICE - APME			
Title			
HC90 CLOCKS			
Size	Document Number		REV
A	809 534 934		D
Date:	November 12, 1990	Sheet	7 of 9



ICE-APME			
Title			
HC 90 RAM			
Size	Document Number		REV
A	869 594 934		B
Date:	November 9, 1990	Sheet	5 of 9



ICE - AFME

Title			
HC90 CONNECTORS			
Size	Document Number	REV	
A	889 504 934	B	
Date:	November 12, 1990	Sheet	9 of 9